



# BARUFFALDI

## MACHINE TOOL COMPONENTS

### VDI Live Tool Holders **Guide** with Baruffaldi clutch



The Partner for Machine Tool Builders  
[WWW.BARUFFALDI.IT](http://WWW.BARUFFALDI.IT)

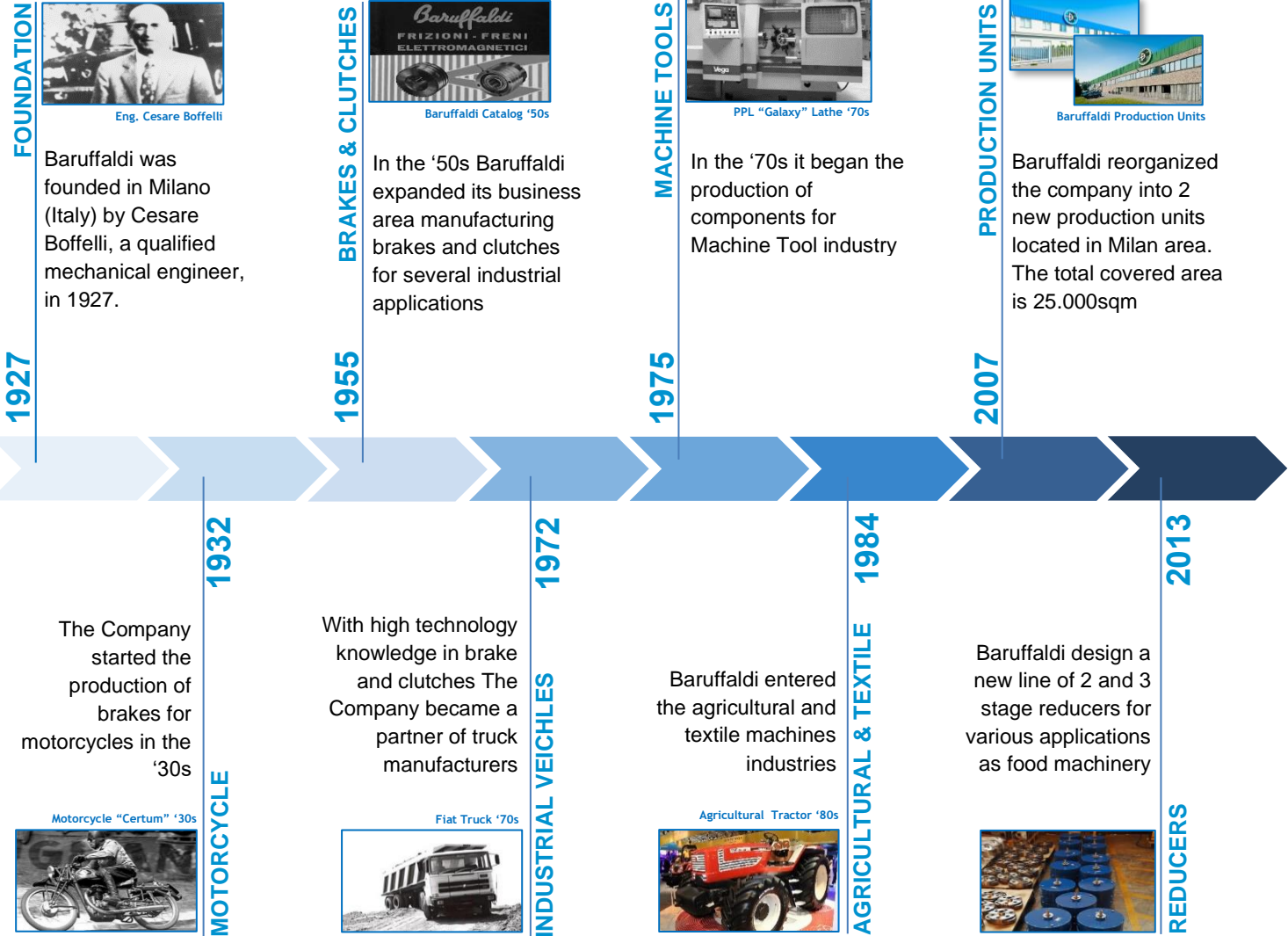


Rev. 01/2021

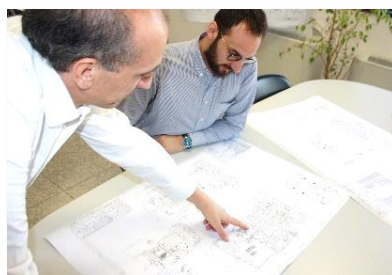


# BARUFFALDI – Since 1927

More than 90 years of Italian mechanical excellence



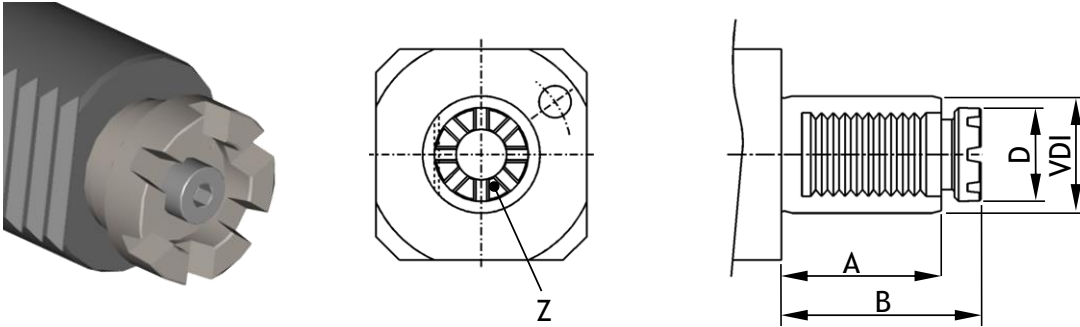
Today Baruffaldi, with over 90 years of experience, is one of the leaders in the Machine Tool Industry offering high quality products and services worldwide.



**Baruffaldi, The Partner for Machine Tool Builders**

## Driven Tool Coupling type “Baruffaldi”

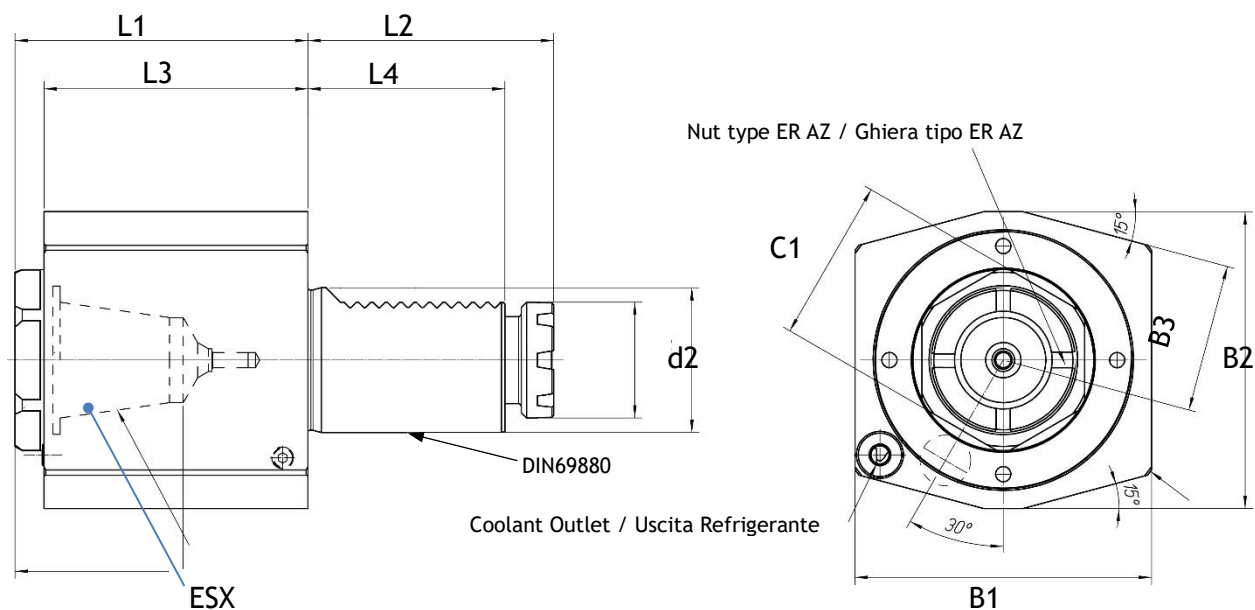
### Innesto Presa di Moto tipo “Baruffaldi”



Live tool clutch - BARUFFALDI				
VDI	A	B	D	Z
20	35	44	19	6
30	45/53	59	24	6
40	53	68	32	8
50	70	84	40	8
60	83	100	43	8
80	111	130	57	8

VDI 30-40-50 / Ratio 1:1 / External Coolant

VDI 30-40-50 / Rapp. 1:1 / Refrigerazione Esterna



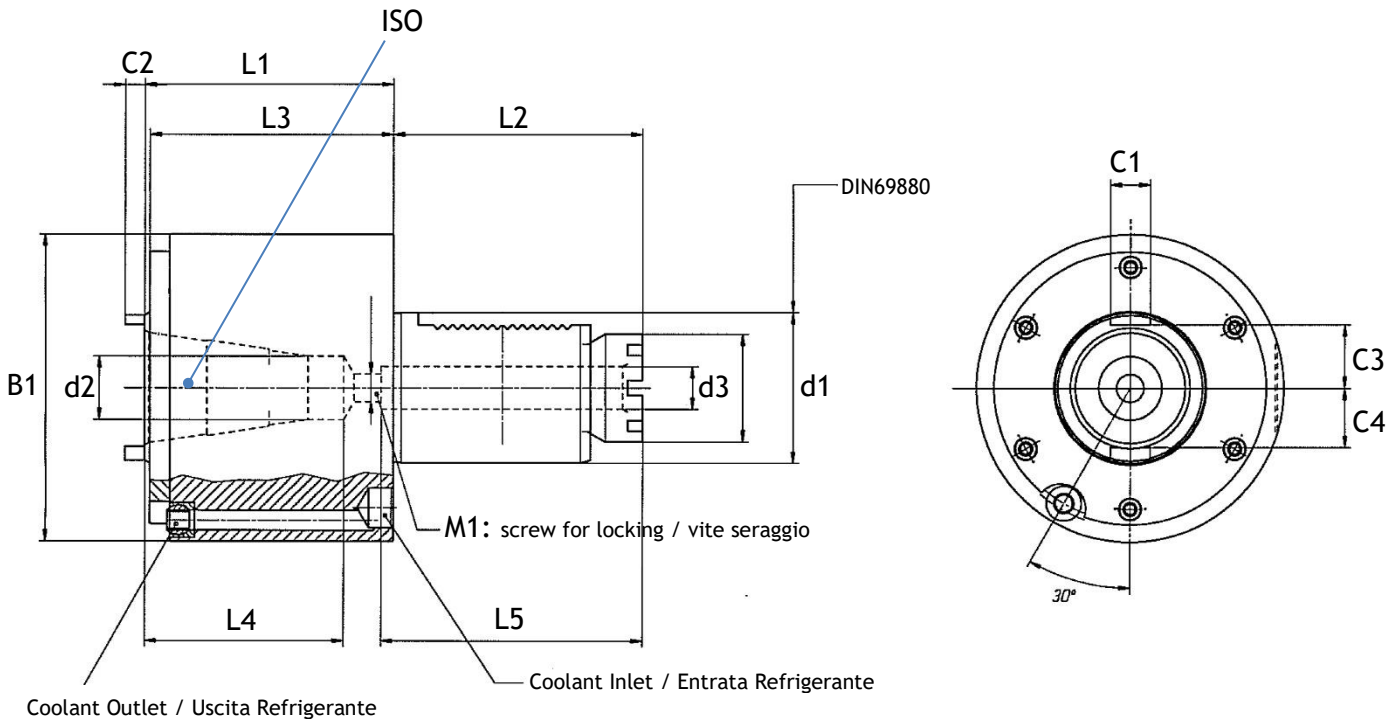
Name	Code	Working Position	ESX	L1	L2	L3	L4	d1	B1	B2	B3	C1	SPEED (RPM)	TORQUE S1 (Nm)
MRA30	86.3010.101	Right/Left	25	72	59	67	45	30	70	66	33	38	6000	20
MRA40	86.4010.101	Right/Left	32	81	68	73	54.5	40	82	82	41	45	5000	62
MRA50	86.5010.101	Right/Left	40	86	84	76	70	50	95	95	47.5	55	5000	70

## MRA Axial Rotary Tool Holders (for TBMA and TBMR)

### MRA Portautensili Rotanti Assiali (per TBMA e TBMR)

VDI 60-80 / Ratio 1:1 / External Coolant

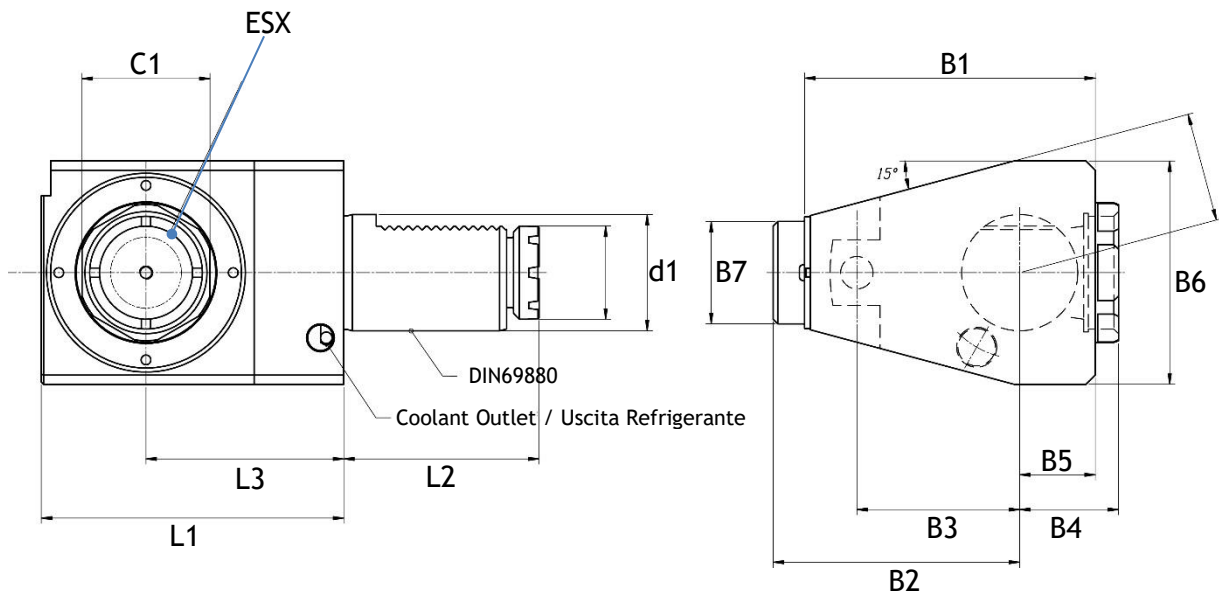
VDI 60-80 / Rapp. 1:1 / Refrigerazione Esterna



Name	Code	Working Position	ISO	L1	L2	L3	L4	L5	B1	d1	d2	d3	C1	C2	C3	C4	M1	SPEED (RPM)	TORQUE S1 (Nm)
MRA60	93.6010.201	Right/Left	40	100	100	98	43,7	80	123	60	25,3	17	15,9	8	25,2	23,5	10	3000	145
MRA80	93.8010.201	Right/Left	50	140	130	138	59,7	112	158	80	40	25	25,4	10	38,5	36	12	3000	240

VDI 30-40-50 / Ratio 1:1 / External Coolant

VDI 30-40-50 / Rapp. 1:1 / Refrigerazione Esterna



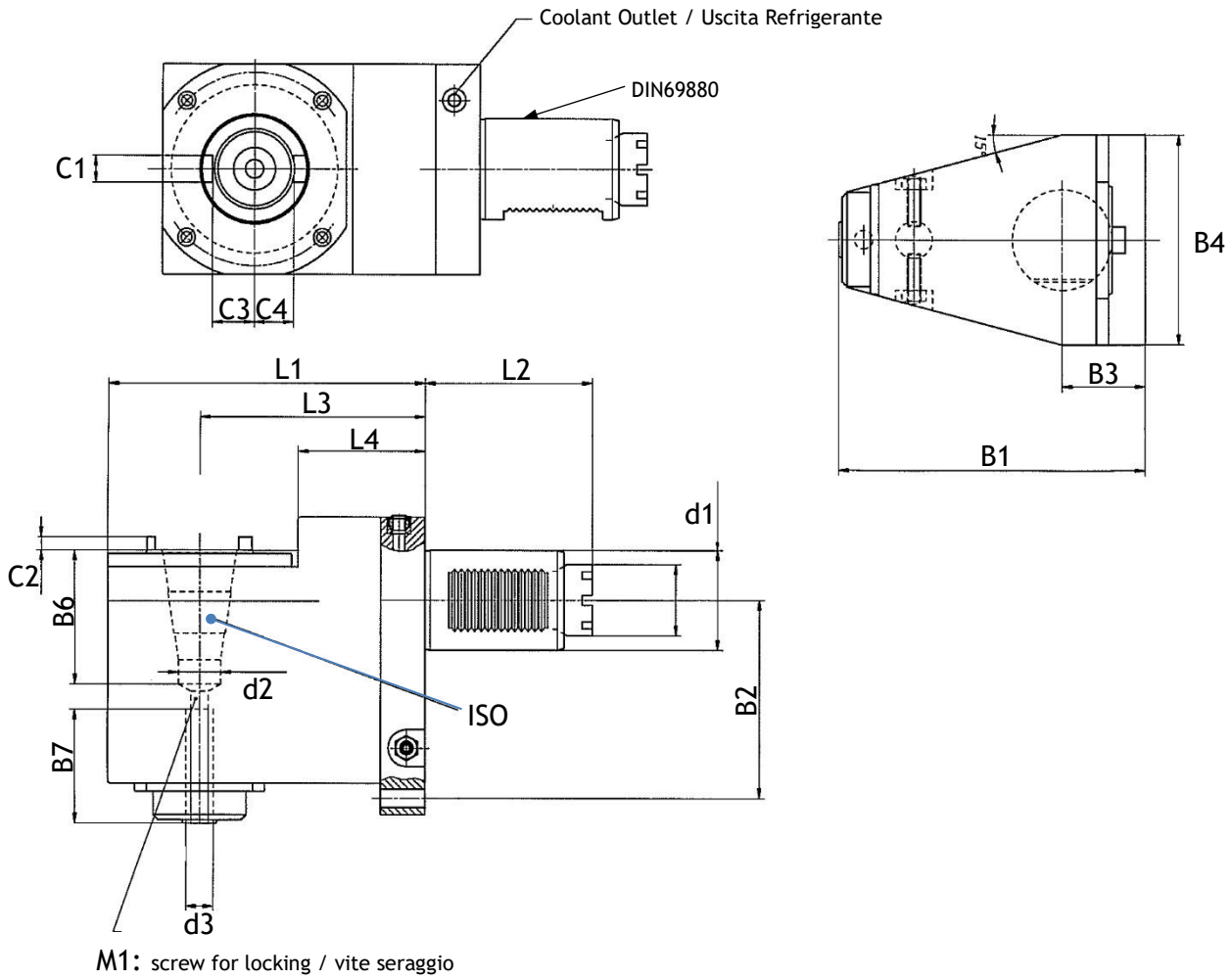
Name	Code	Working Pos.	ESX	L1	L2	L3	D1	B1	B2	B3	B4	B5	B6	B7	C1	SPEED (RPM)	TORQUE S1 (Nm)
MRR30	88.3010.101	Right	25	99	59	65	30	87	71,5	40	32	27	70	34	38	6000	20
MRR40	88.4010.101	Right	32	108	68	70	40	110	91,5	63	37	30	77	39	45	5000	62
MRR50	88.5010.101	Right	40	130	84	85	50	125	106	70	42,5	32,5	96	44	55	5000	70
MRR30	89.3010.101	Left	25	99	59	65	30	87	71,5	40	32	27	70	34	38	6000	20
MRR40	89.4010.101	Left	32	108	68	70	40	110	91,5	63	37	30	77	39	45	5000	62
MRR50	89.5010.101	Left	40	130	84	85	50	125	106	70	42,5	32,5	96	44	55	5000	70

## MRR Radial Rotary Tool Holders (for TBMA)

## MRR Portautensili Rotanti Radiali (per TBMA)

VDI 60-80 / Ratio 1:1 / External Coolant

VDI 60-80 / Rapp. 1:1 / Refrigerazione Esterna

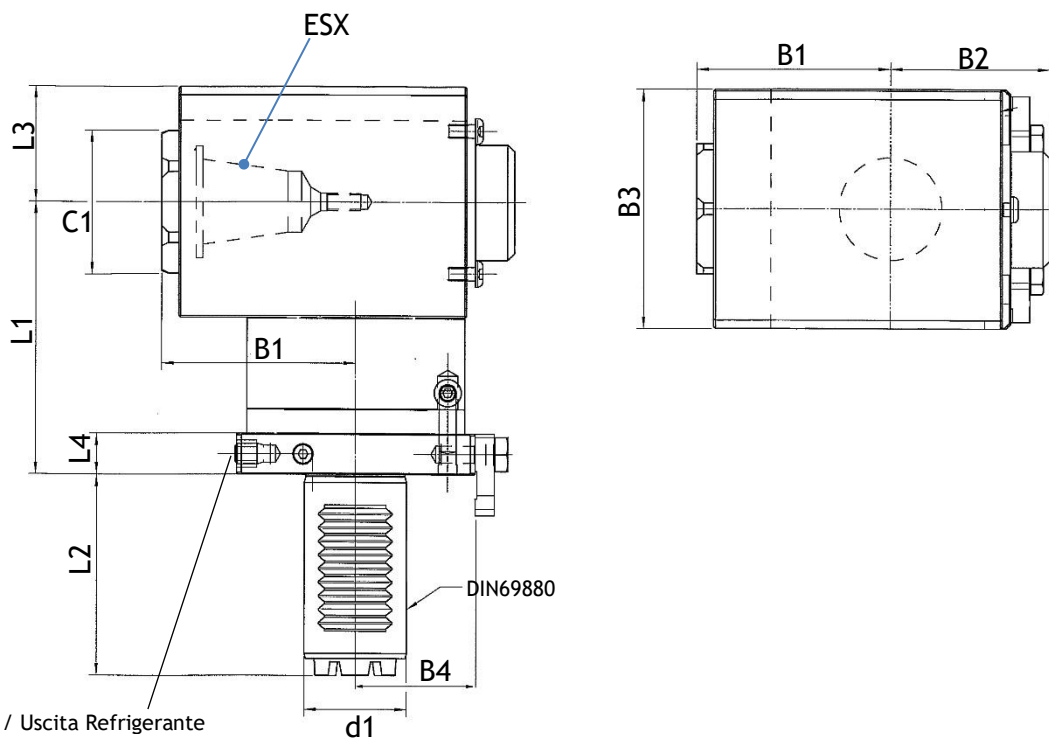


Name	Code	Working Pos.	ISO	L1	L2	L3	L4	d1	d2	d3	B1	B2	B3	B4	B5	B6	C1	C2	C3	C4	SPEED (RPM)	TORQUE S1 (Nm)	
MRR60	94.6000.201	Right	40	190	100	135	76	60	25,3	16,5	183	118	50	125	80	68	15,9	8	25,2	23,5	3000	145	
MRR80	94.8000.201	Right	50	228	130	158	86,5	80	40	20	207	130	60	160	112	38	25,5	10	36	38,5	3000	240	
MRR60	96.6000.201	Left	40	40	190	100	135	43	60	25,3	16,5	183	118	50	125	80	68	15,9	8	25,2	23,5	3000	
MRR80	96.8000.201	Left	50	50	228	130	158	57	80	40	20	207	130	60	160	112	38	25,5	10	36	38,5	3000	



VDI 30-40-50 / Ratio 1:1 / External Coolant

VDI 30-40-50 / Rapp. 1:1 / Refrigerazione Esterna



Coolant Outlet / Uscita Refrigerante

Name	Code	Working Pos.	ESX	L1	L2	L3	L4	d1	B1	B2	B3	B4	C1	SPEED (RPM)	TORQUE S1 (Nm)
MAN30	87.3010.101	Right / Left	25	80	59	34	12	30	57	46,5	67,5	35	38	6000	20
MAN30	87.3010.102	Right / Left	25	105	59	34	12	30	57	46,5	67,5	35	38	6000	20
MAN30	87.3010.103	Right / Left	25	53	59	34	12	30	57	46,5	67,5	35	38	6000	20
MAN40	87.4010.101	Right / Left	32	90	68	38	16,5	40	72	56,5	85	42,5	45	5000	62
MAN40	87.4010.102	Right / Left	32	120	68	38	16,5	40	72	56,5	85	42,4	45	5000	62
MAN40	87.4010.103	Right / Left	32	62,5	68	38	16,5	40	72	56,5	85	42,5	45	5000	62
MAN50	87.5010.101	Right / Left	40	105	84	45	16	50	82,5	66	100	50	55	5000	70
MAN50	87.5010.102	Right / Left	40	140	84	45	16	50	82,5	66	100	50	55	5000	70
MAN50	87.5010.103	Right / Left	40	70	84	45	16	50	82,5	66	100	50	55	5000	70





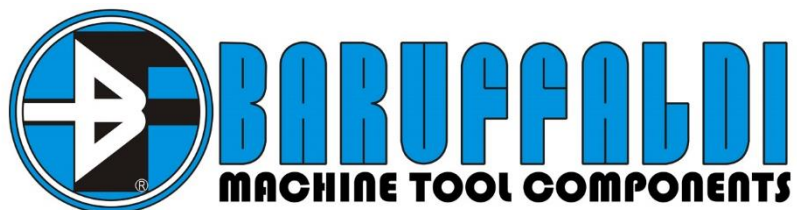
Baruffaldi has developed a sales and service organisation all over the world.

Furthermore, thanks to a net of agents and distributors, it is ensured a direct contact in many nations.

La Baruffaldi è strutturata per offrire un servizio di vendita e assistenza in tutto il mondo.

Inoltre, grazie ad una rete di agenti e distributori garantisce un contatto diretto in molte nazioni.

**Visit our web site for more information**  
**[WWW.BARUFFALDI.IT](http://WWW.BARUFFALDI.IT)**



Via Casino D'Alberi 16, 20067 Tribiano (Milan) ITALY  
Tel +39 02906090 987 Fax +39 02906090 15 Email Sales.mtc@baruffaldi.it  
**WWW.BARUFFALDI.IT**



[Facebook.com/BaruffaldiSpa](https://www.facebook.com/BaruffaldiSpa)



[Instagram.com/Baruffaldi\\_Spa](https://www.instagram.com/Baruffaldi_Spa)



[Youtube.com/Baruffaldispa](https://www.youtube.com/Baruffaldispa)



[Twitter.com/BaruffaldiSpa](https://www.twitter.com/BaruffaldiSpa)

The technical data, dimensions and weight are subject to change without notice. The illustrations are for reference only.